

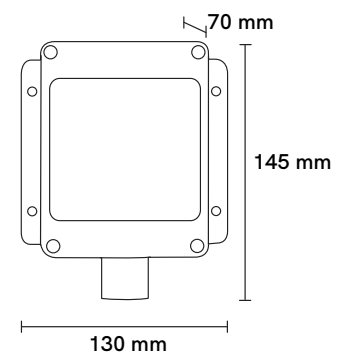
Carbon Dioxide

(CO₂) Gas Detector
4370



Specifications

- ✓ Basic calibration
- ✓ Low cross sensitivity
- ✓ 3 wire 4-20mA, 0-20mA, 0-5V or 0-10V output
- ✓ Highly reliable
- ✓ Gas range options available
- ✓ Infra-red sensor NDIR



Contact us > 07 4613 5111 - sales@gasdetect.com.au