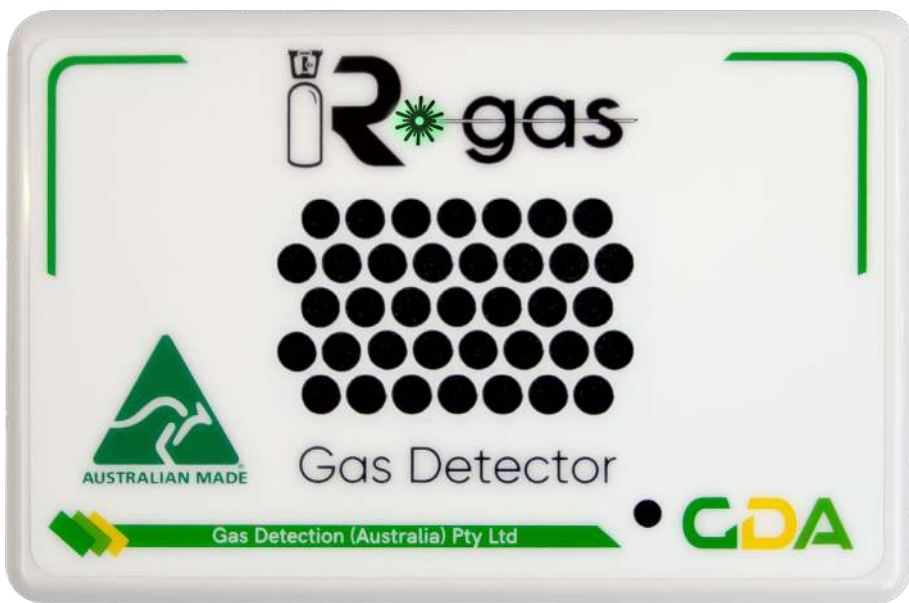


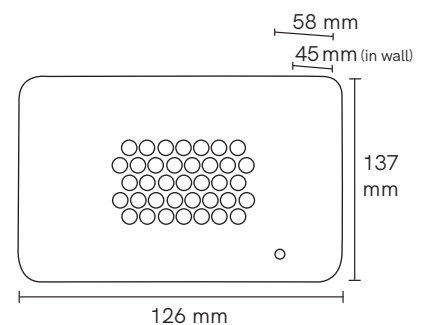
Refrigerant Flush Mount Gas Detector 3160



Gas types > R 134a | R 410a | R 123 | R 22 | R 404a | R 514a | R 1234ze | R 407c

Specifications

- ✓ Use as standalone detector or 4-20mA output
- ✓ Infra-red sensor (NDIR)
- ✓ Low cross sensitivity
- ✓ Non-obstrusive flush mount
- ✓ 1 alarm relay (volt free)
- ✓ Alarm buzzer and red LEDs
- ✓ Apartments and office buildings
- ✓ Calibration kit available



Contact us > 07 4613 5111 - sales@gasdetect.com.au