

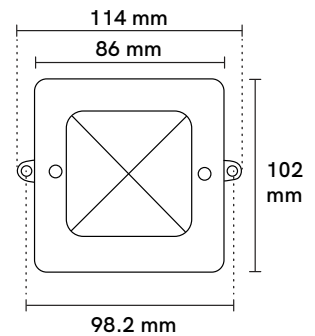
LED Beacon

IS-L101L



Specifications

- ✓ Input overload and reverse current protection
- ✓ 16-28 VDC via Zener barrier or galvanic isolator available
- ✓ Prismatic lens optimises L.E.D effectiveness
- ✓ IP66 enclosure rating
- ✓ Red LED colour
- ✓ Cable entry of 2 x M20 clearance supplied with stopping plugs



Contact us > 07 4613 5111 - sales@gasdetect.com.au